

SYSTEM INSTALLATION

Check that the trim kit is correctly installed.
 Check that the mark on the cartridge is aligned facing upwards.
 Check that the thermostatic cover is placed in a vertical position.

Insert the thermostatic knob by placing the button in a vertical position pointing to 38 ° C on the trim plate.

Complete the installation by putting the trim ring and the washer, screw the screw down with a screwdriver and close by screwing the cover.

TECNICAL SPECIFICATIONS

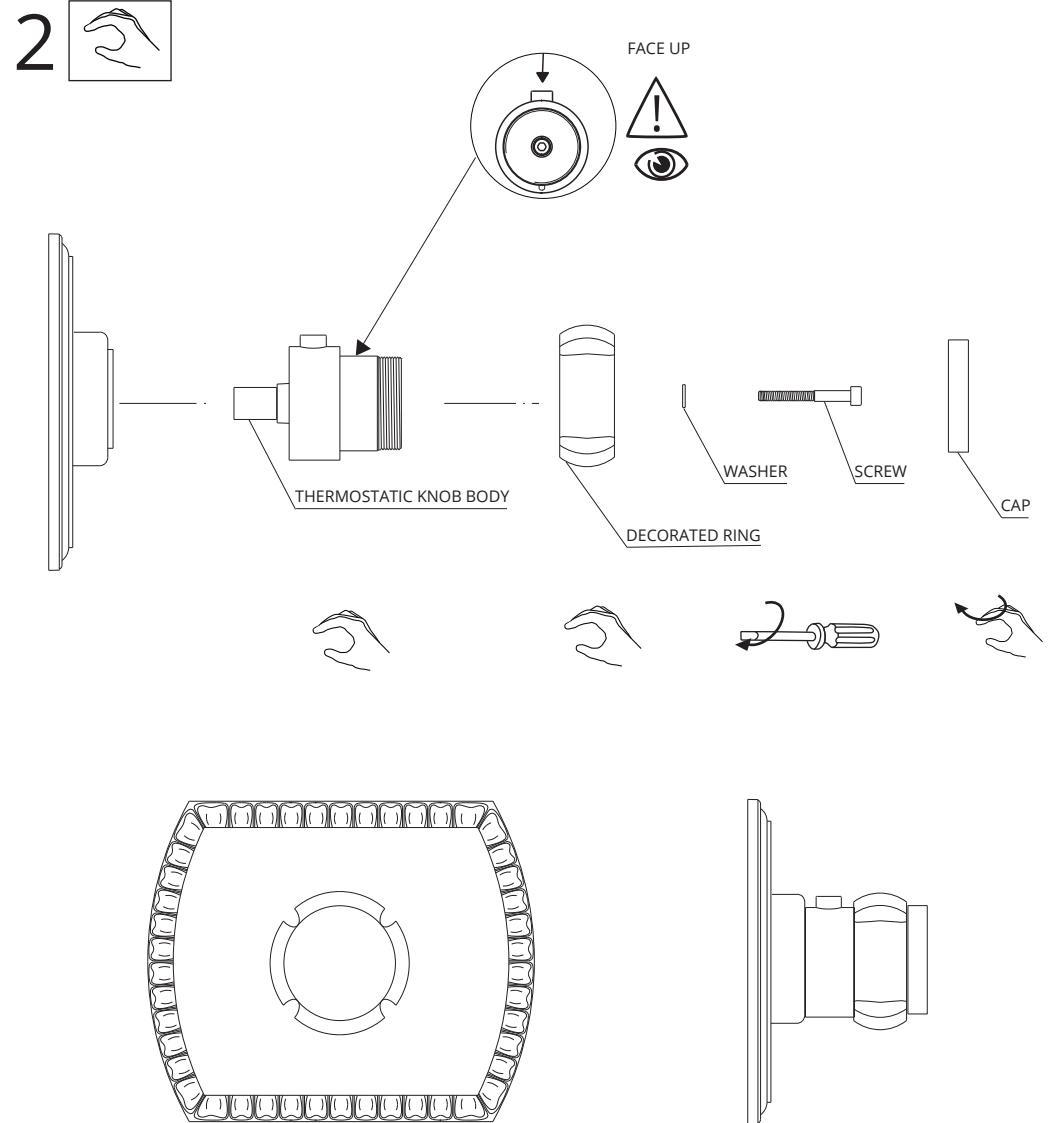
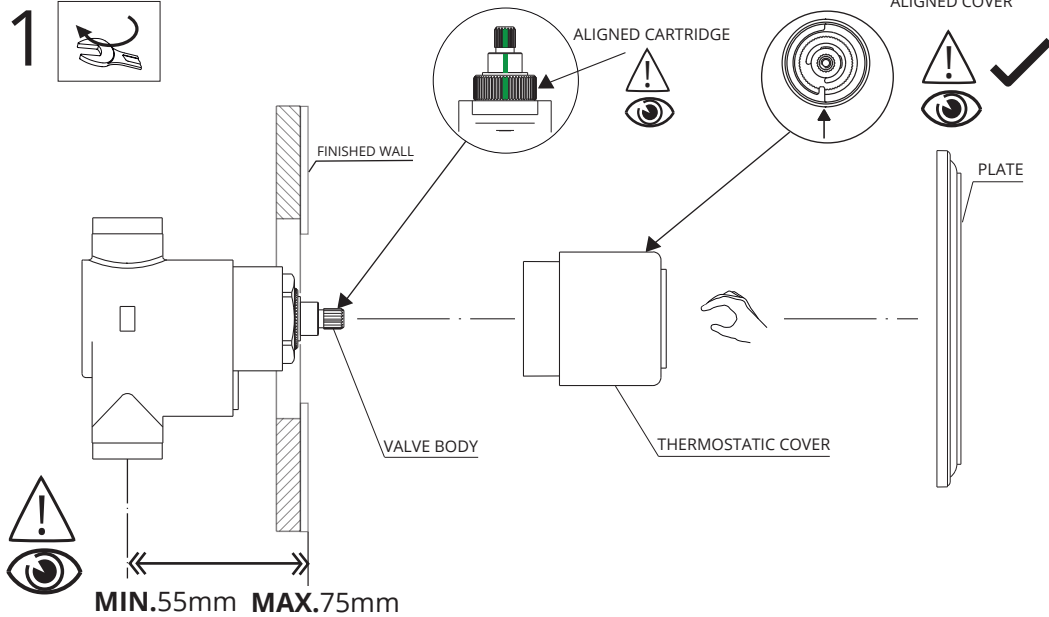
Minimum Flow pressure 1 bar

Maximum Flow pressure 10 bar

Recommended Flow Pressure 3 bar

Recommended temperature range from 15° - 65°

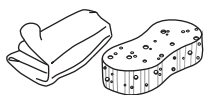
Safety Check calibrated 38° ± 1°C



CLEANING AND CARE GUIDE



Do not use cleaning products containing acid, alcohol, limescale removers.



Do not use abrasive sponges, clean and dry with a soft cloth.



Clean only with a humid soft cloth moistened with water.

WARRANTY CERTIFICATE

Bronces Mestre S.A. warranty certificate covers all manufacturing defects for a period of five years. The warranty gives the right of free reparation or replacement of the faulty pieces if the claim is accepted by Bronces Mestre customer service department. The warranty certificate does not cover any eventual compensation for the damage which the defect might have caused.

The eventual repair or substitution of the components does not prolong the guarantee.

All finishes have five years warranty, that do not include use of unsuitable cleaning products on the finishes.

Cartridges valves and auxiliary components have five years warranty.

Other components as batteries, filters, aerators, seals are not covered by this guarantee, except if they have manufacturing defects. All types of guarantees are rendered invalid by incorrect installation, misuse, wastage and incorrect maintenance.



THERMOSTATIC KNOB

Knob and handle

MESTRE

LUXURY SINCE 1952

