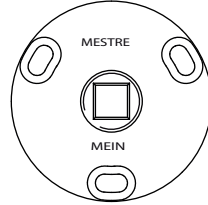
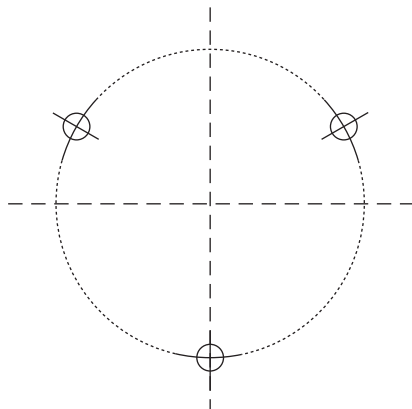
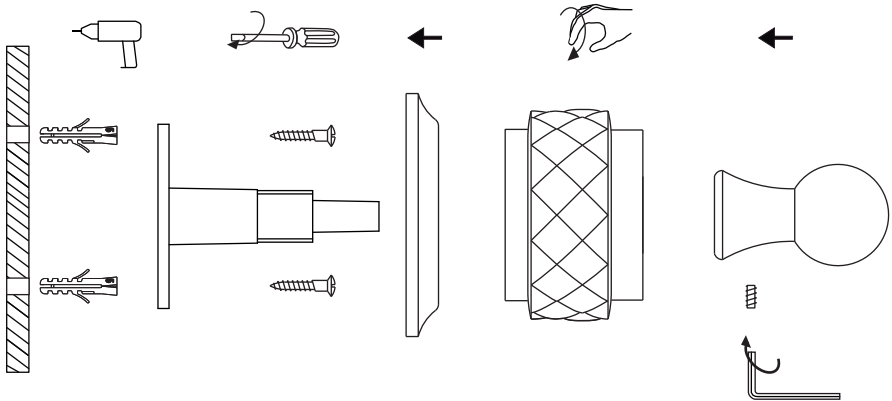


5mm diameter holes



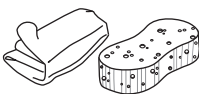
Mount adapter in this position



CLEANING AND CARE GUIDE



Do not use cleaning products containing acid , alcohol, limescale removers.



Do not use abrasive sponges, clean and dry with a soft cloth.



Clean only with a humid soft cloth moistered with water.

WARRANTY CERTIFICATE

Bronces Mestre S.A. warranty certificate covers all manufacturing defects for a period of five years. The warranty gives the right of free reparation or replacement of the faulty pieces if the claim is accepted by Bronces Mestre customer service department. The warranty certificate does not cover any eventual compensation for the damage which the defect might have caused.

The eventual repair or substitution of the components does not prolong the guarantee. All finishes have five years warranty, that do not include use of unsuitable cleaning products on the finishes.

Cartridges valves and auxiliary components have five years warranty.

Other components as batteries, filters, aerators, seals are not covered by this guarantee, except if they have manufacturing defects. All types of guarantees are rendered invalid by incorrect installation, misuse, wastage and incorrect maintenance.

