

## SYSTEM INSTALLATION

Flush pipes thoroughly before installing the thermostatic system.

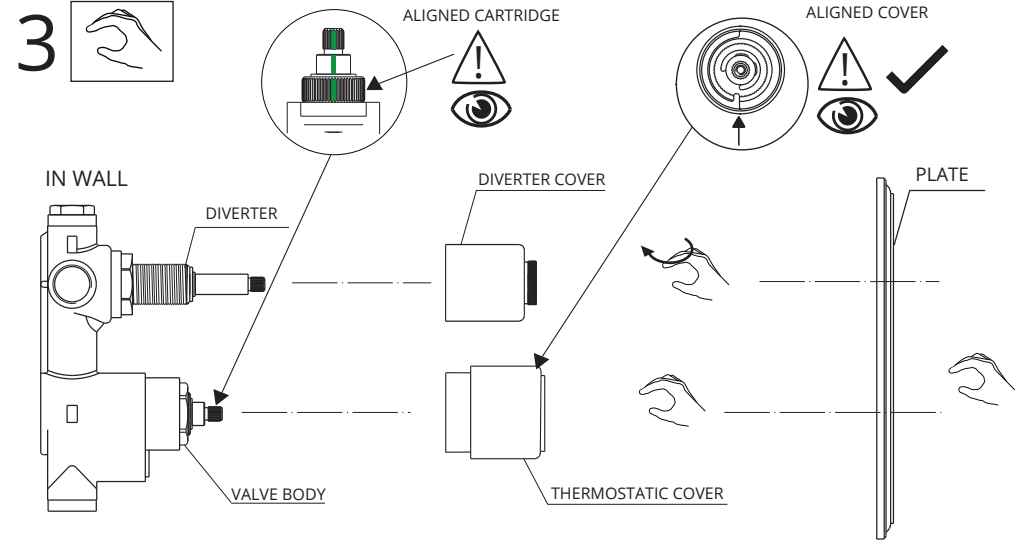
Set the thermostatic system respecting the minimum and maximum distances of the depth according to the wall and shown at the picture below.

Connect the inputs and outputs of water as shown in the drawing.  
The thermostatic system and the diverter contain plastic components. In case you weld the pipes to the system make sure to remove the cartridges and valves before heating the body.

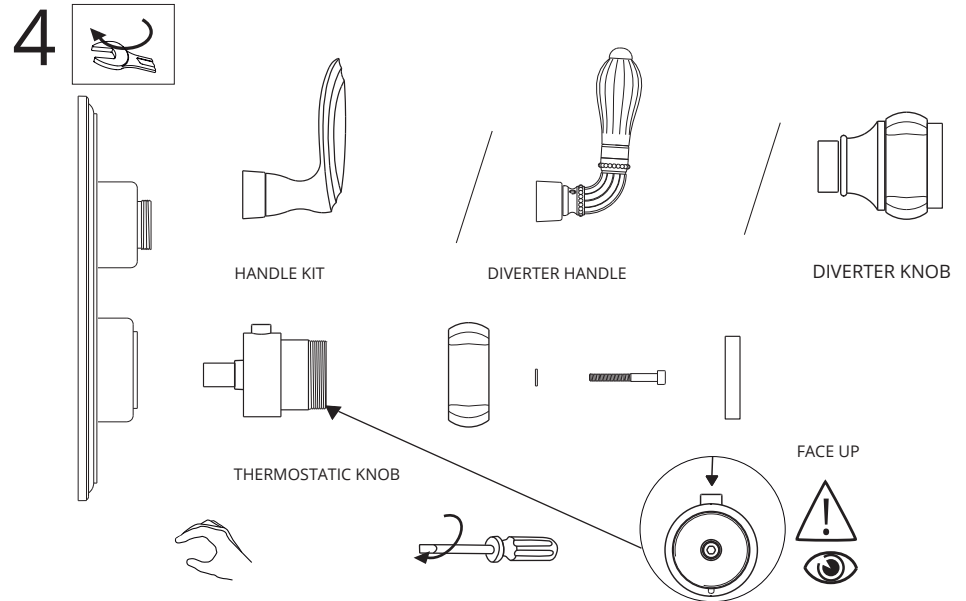
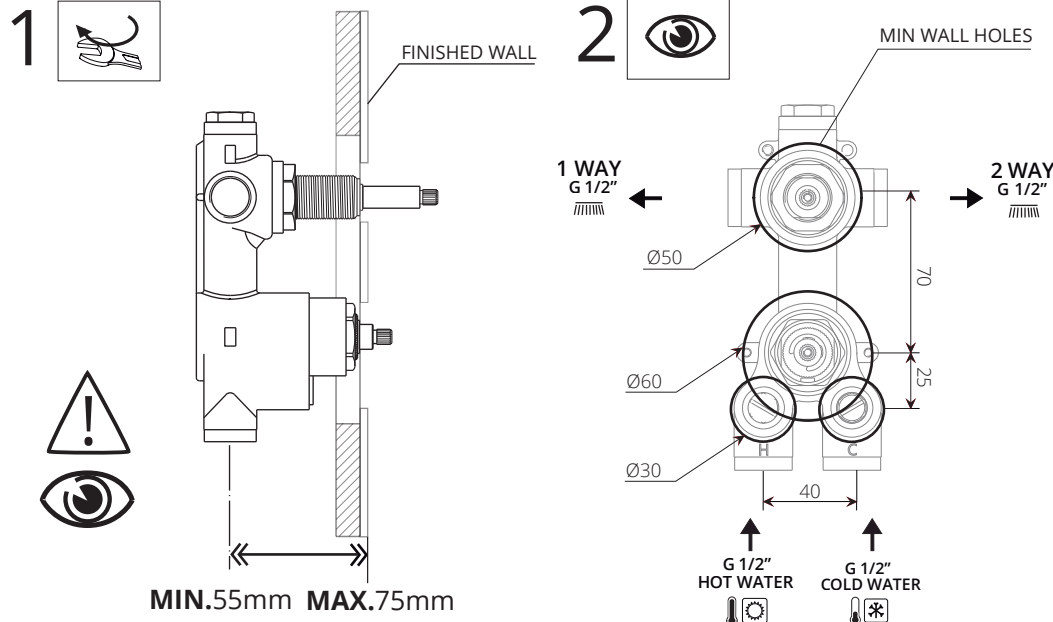
If you have removed the components to weld the pipes to the system, reinstall with care not to damage them.

## TECHNICAL SPECIFICATIONS

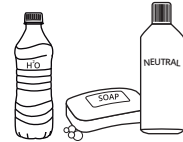
Minimum Flow pressure	1 bar
Maximum Flow pressure	10 bar
Recommended Flow Pressure	3 bar
Calibrated thermostatic system	38° ± 1°C
Recommended temperature range	from 15° - 65°
Safety Check	38°C



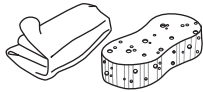
**NOTE:** Make sure that the green line on the cartridge is aligned. Put inside covers like image n.3. Put thermostatic knob with button facing upwards like image n.4 and screw it in.



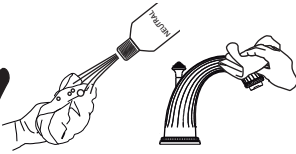
# CLEANING AND CARE GUIDE



Do not use cleaning products containing acid, alcohol, limescale removers.



Do not use abrasive sponges, clean and dry with a soft cloth.



Clean only with a humid soft cloth moistened with water.

# WARRANTY CERTIFICATE



Bronces Mestre S.A. warranty certificate covers all manufacturing defects for a period of five years. The warranty gives the right of free repair or replacement of the faulty pieces if the claim is accepted by Bronces Mestre customer service department. The warranty certificate does not cover any eventual compensation for the damage which the defect might have caused.

The eventual repair or substitution of the components does not prolong the guarantee.

All finishes have five years warranty, that do not include use of unsuitable cleaning products on the finishes.

Cartridges valves and auxiliary components have five years warranty.

Other components as batteries, filters, aerators, seals are not covered by this guarantee, except if they have manufacturing defects. All types of guarantees are rendered invalid by incorrect installation, misuse, wastage and incorrect maintenance.



THERMOSTATIC 2 WAYS DIVERTER

1/2" inwall

