

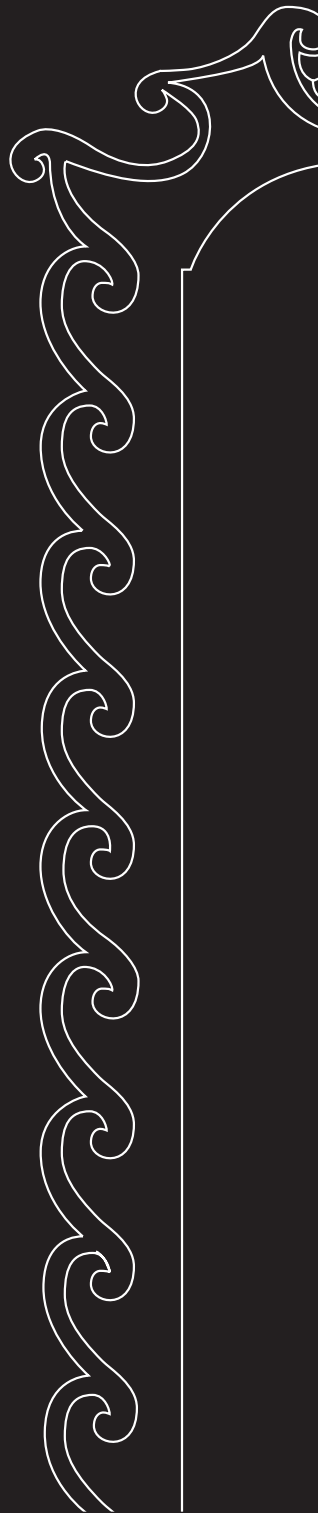
since 1952

WE LOVE WHAT WE DO.

*Clásica*  
*series*

new  
collection  
by

**MESTRE®**





*When you join illusion and creativity, high end quality materials and a work well done, then you secure a unique craft piece that will timely endure. A Mestre luxury one.*

**MESTRE®**

*Clásica*  
*series*



MESTRE®



0A3232.000.12



0A3232.000.01





0J2903.D00.01



0M2903.000.01



0M3203.000.01



0R7032.000.01



0R7032.000.71



0N7003.000.01



0A2941.N85.01



0A2941.B00.01



MESTRE®

MADE WITH  
SWAROVSKI  
ELEMENTS



0M2905.SN0.01



0A2934.000.34



0J2910.85Y.34



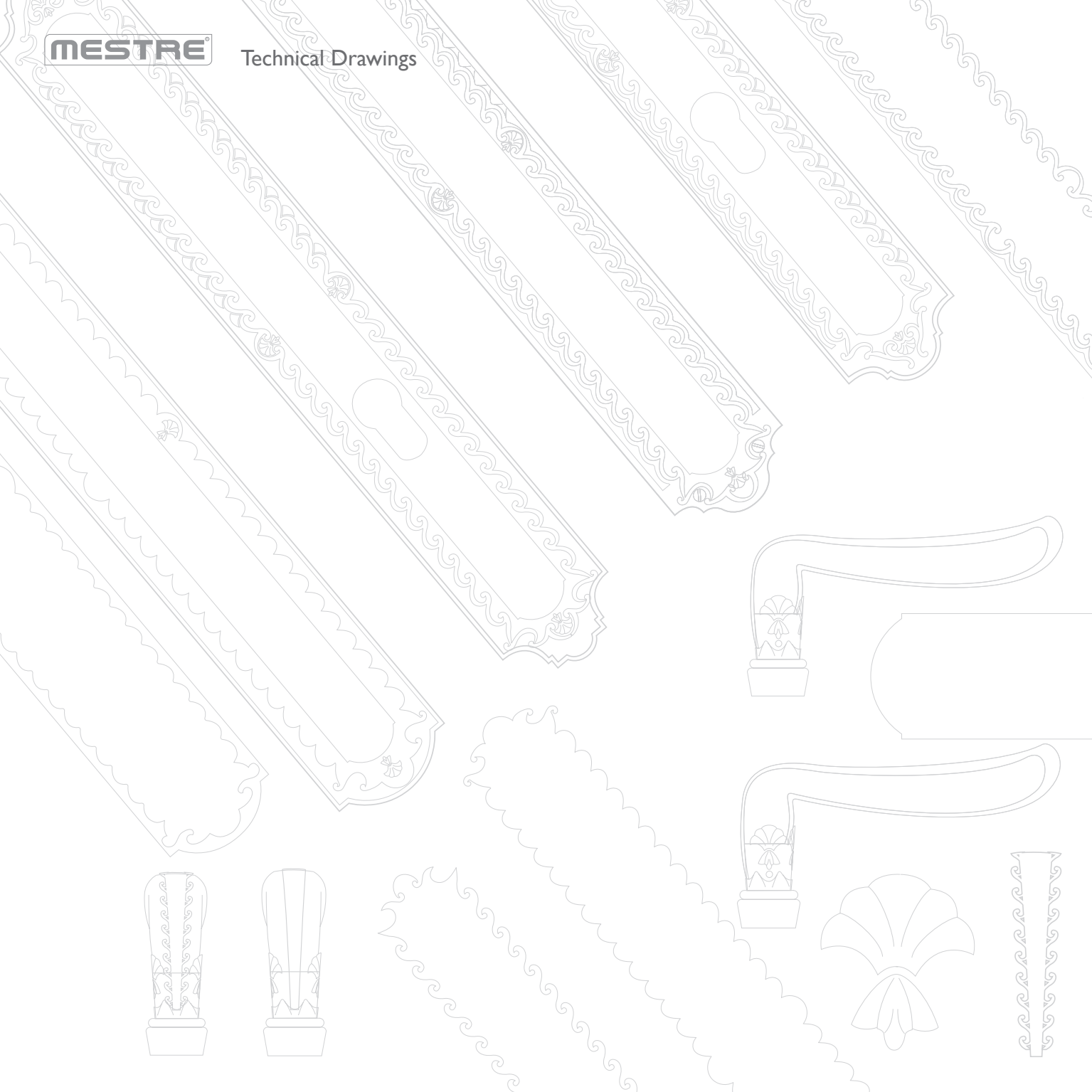
0J2910.85Y.01

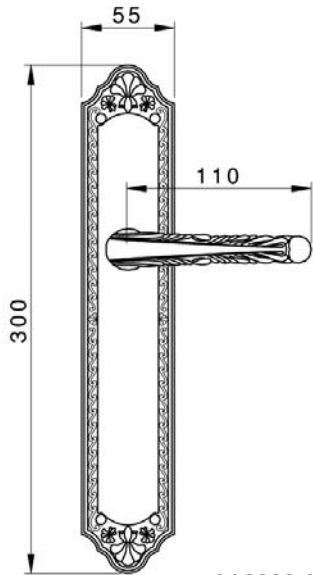


0J2904.Z00.12

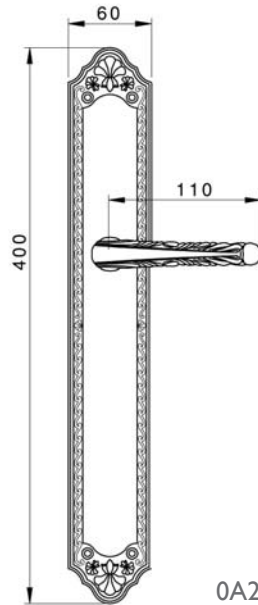
**MESTRE**

Technical Drawings

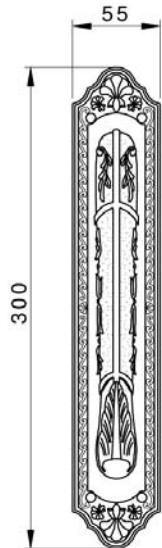




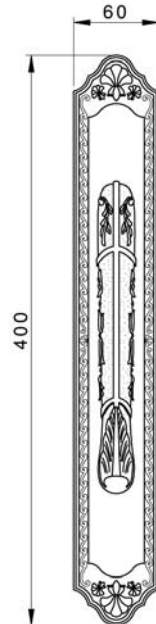
0A3232.000



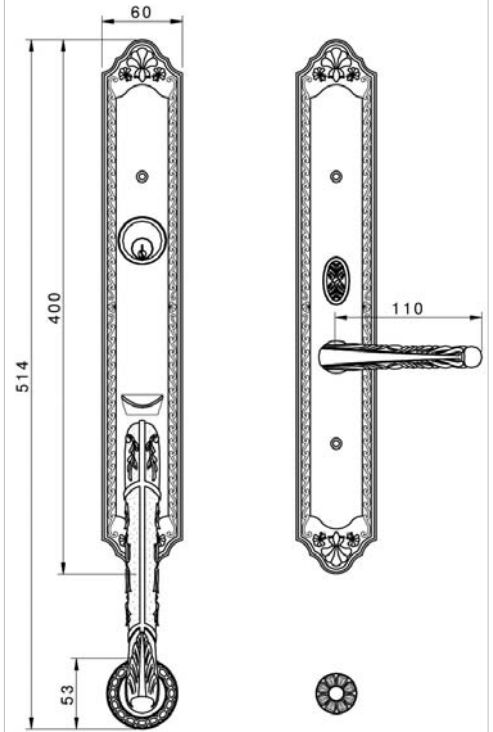
0A2932.000



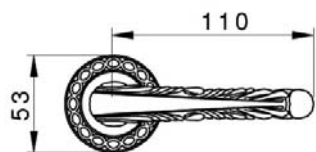
0M3203.000



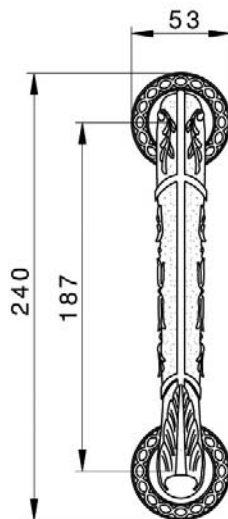
0M2903.000



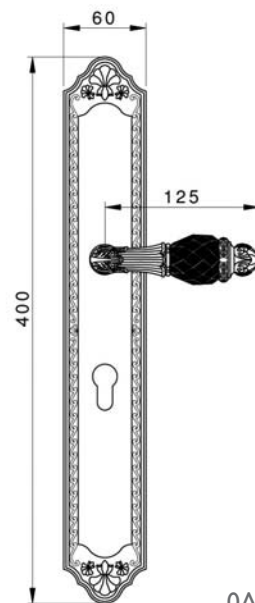
0J2903.D00



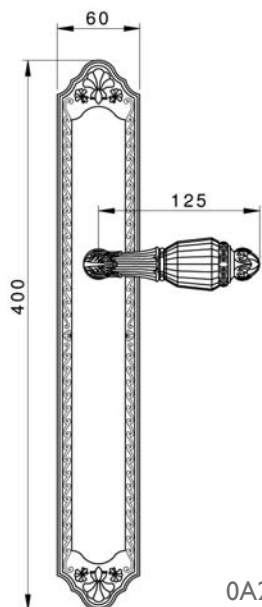
0R7032.000



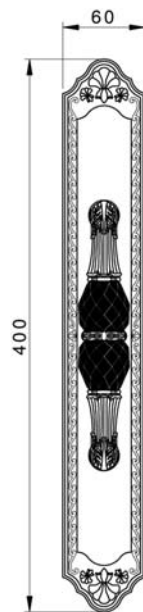
0N7003.000



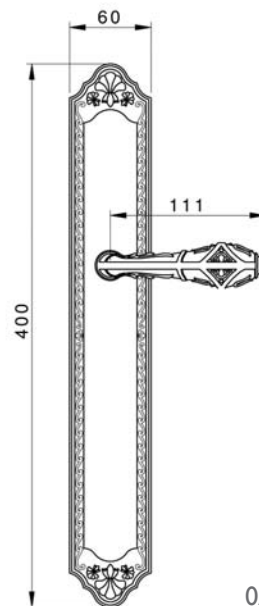
0A2941.N85



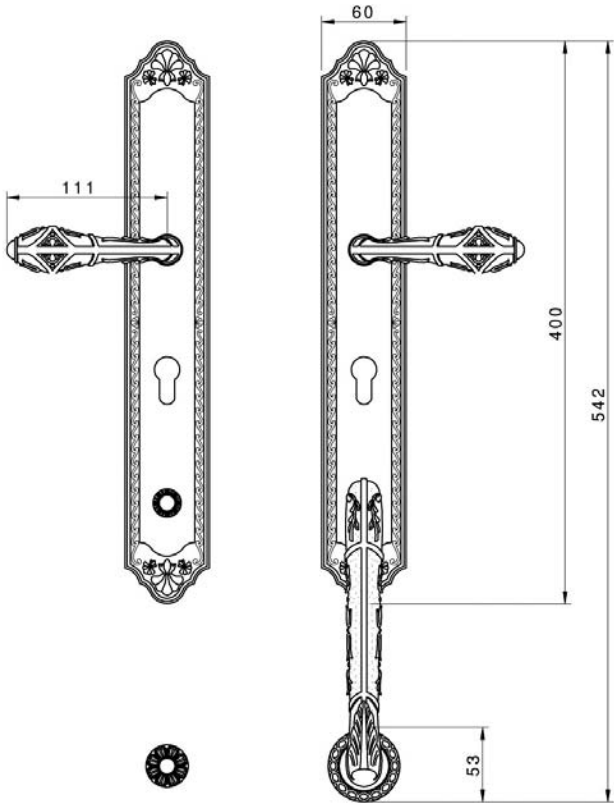
0A2941.B00



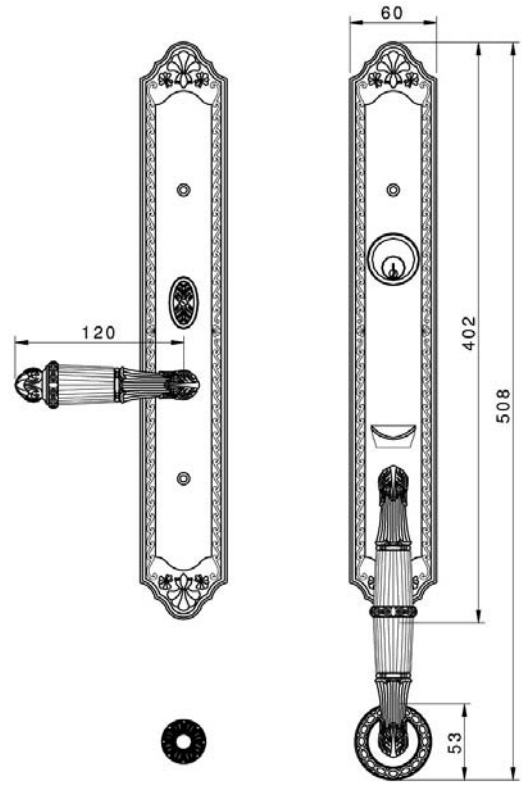
0M2905.SN0



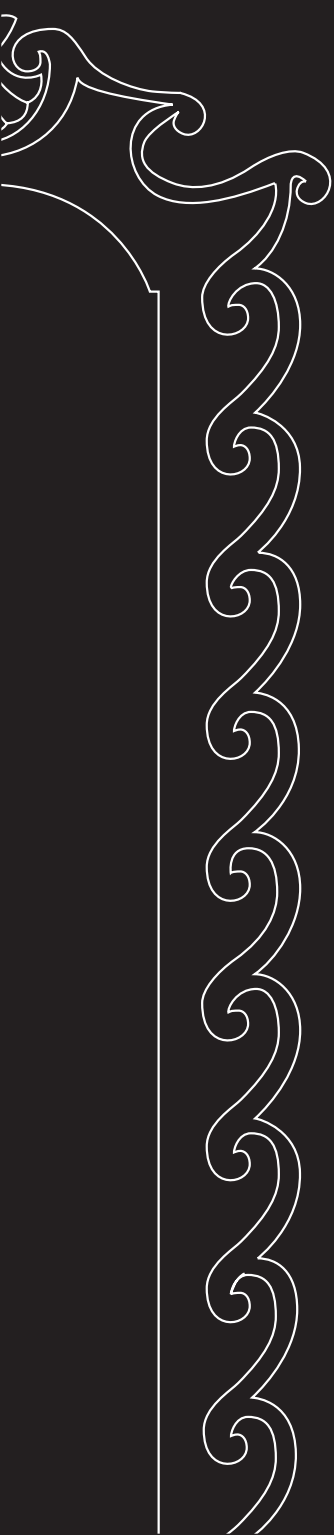
0A2934.000



0J2910.85Y



0J2904.Z00



**MESTRE®**



**BRONCES MESTRE, S.A.**

Ctra. Masía del Juez, Km. 1 P.O. Box nº 5 46909 Torrent (Valencia) Spain

Tf. +34 961 550 800 - Fax +34 961 550 016

info@broncesmestre.com - www.broncesmestre.com